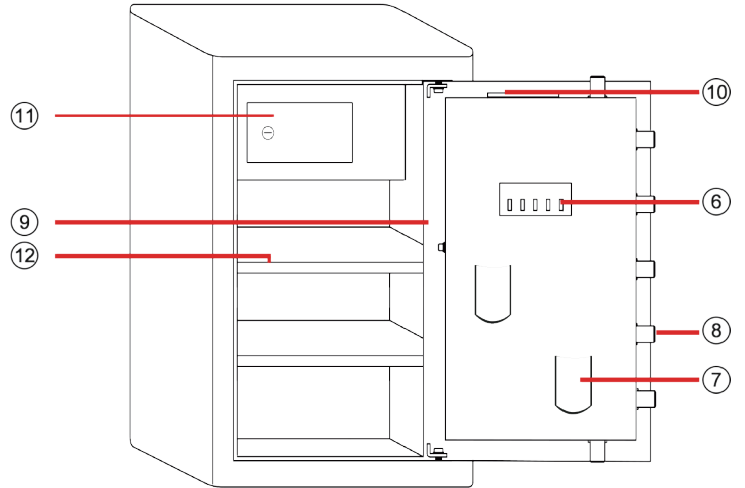
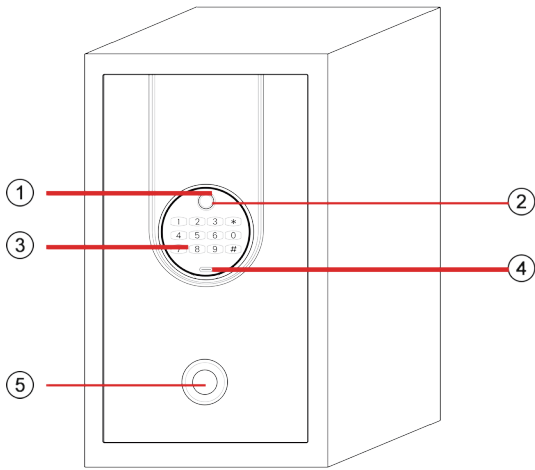


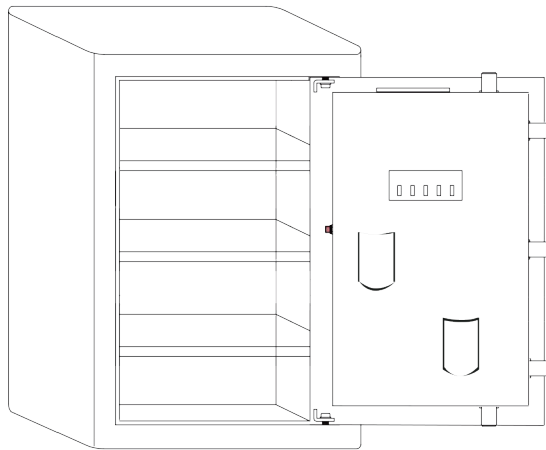
Biometric Safe Box (ZQ)

User Manual

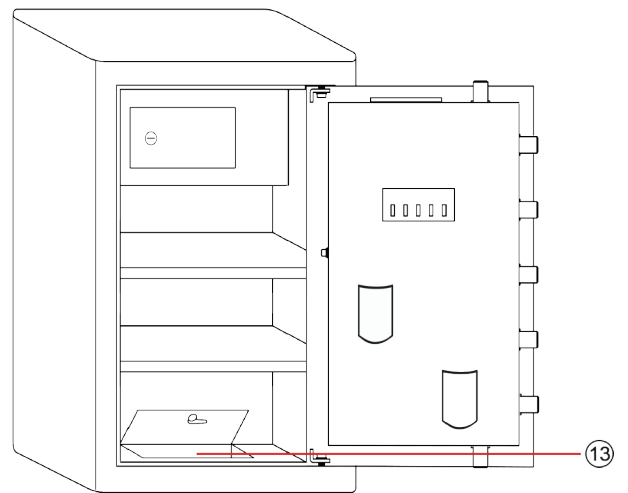
Component Description



70H



60H



80H

- ① Indicator light
- ② Fingerprint lock
- ③ Numeric keypad
- ④ Type-C external power supply hole
- ⑤ Keyhole (magnetic fob)
- ⑥ Key Hook X6
- ⑦ Pistol Pocket X2
- ⑧ Solid Pry Bolt
- ⑨ Reset button
- ⑩ Internal battery compartment
- ⑪ Inner Cabinet
- ⑫ Removable shelves
- ⑬ Hidden Bottom Safe

Extend 5 Years Warranty

Send your order number to following E-mail or Scan the QR code on the key tag to register warranty.



support@homesafe.vip

Instruction Video

Scan following QR code to watch the instruction video



Four Unlock Ways



Set Personal Code
And Fingerprint



Dual Anti-Theft
Alert System



Set Optional
Silent Mode



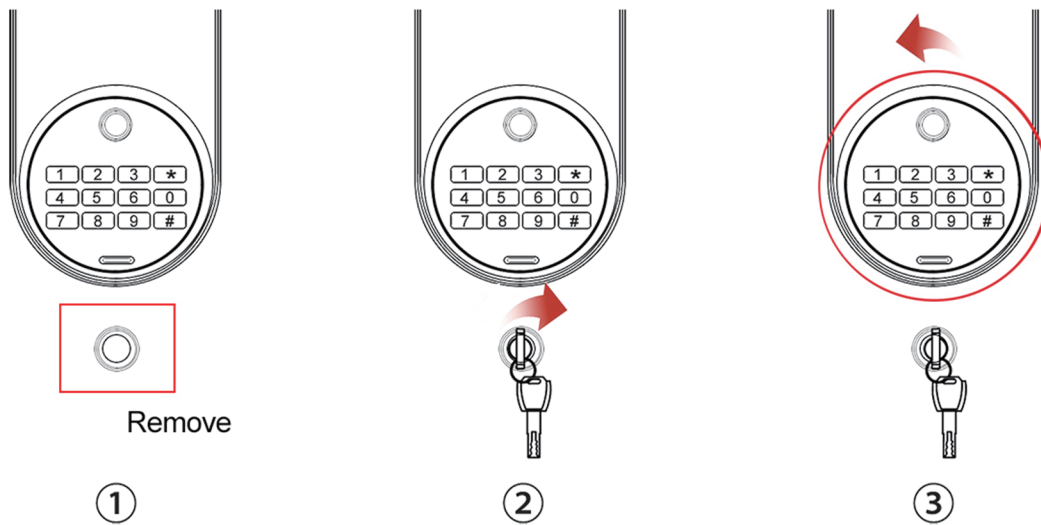
Restore Factory
Settings

Package List:

Item	Picture	Qty	Item	Picture	Qty
User Manual		1	Emergency Battery Box with USB Port		1
Spare Key		2	Inner Case Key		2
Expansion Bolt		4	Golden Foot Mat		4
Hidden Bottom Safe Keys (80H only)		2	Fireproof Bag		1

How To Open The Safe

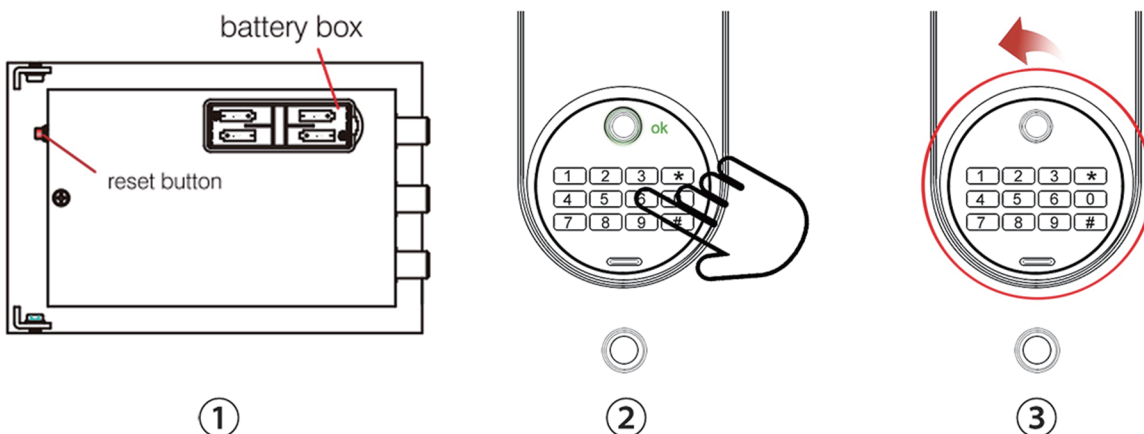
1. Open door with key



- ① Press the edges to remove the magnetic keyhole cover
- ② Insert backup key and rotate
- ③ Rotate the handle to open the door

NOTE: Please keep the backup keys out of the safe

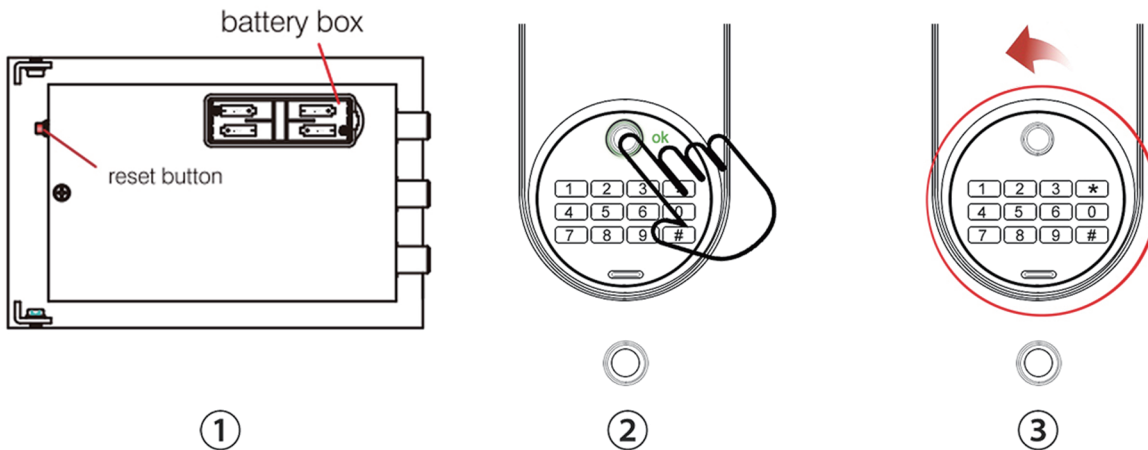
2. Open door with password



- ① Install 4 AA batteries
- ② Input correct password and press # to confirm
- ③ Rotate the handle to open the door

NOTE: The default factory password is 1234#

3. Open door with fingerprint

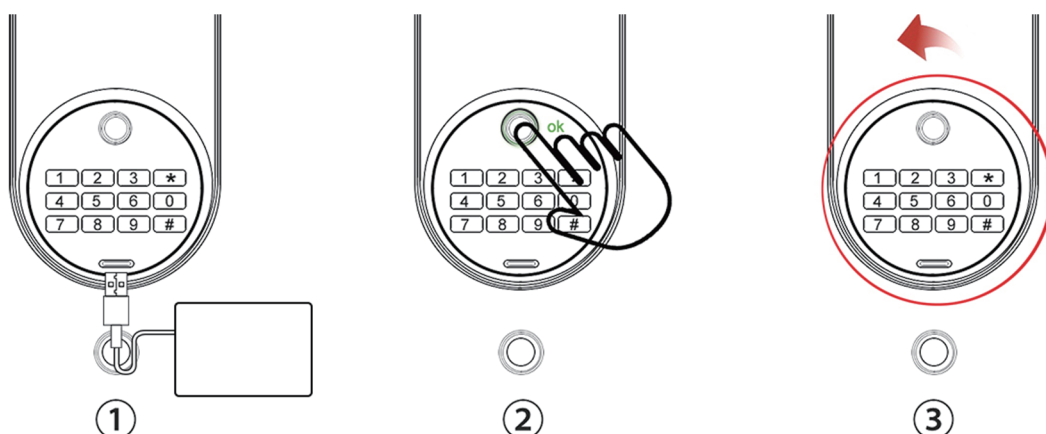


- ① Install 4 AA batteries
- ② Long press the fingerprint touch button until the green indicator of OK light on
- ③ Rotate the handle to open the door

Note: Default fingerprint is empty, you can't open it with any fingerprint for the first time.

29 FINGERPRINTS CAN BE STORED UP

4. Open door with external battery box + code + handle

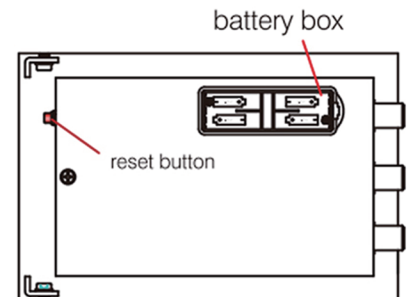


- ① Insert Type-C external battery box
- ② Input correct password and press # to confirm
- ③ Rotate the handle to open the door

How To Setup Your Password And Fingerprint

1. How to setup new password

- ① Open the door with default factory password(1234#)
- ② Press the red re-set button behind the door (just like right picture)
- ③ The left red indicator and middle green indicator will light on (like the Figure 1 picture)
- ④ Input 3-8 digit and press # to confirm
- ⑤ Enter above same 3-8 digit and press # to confirm it again
- ⑥ The middle and right OK green indicator will light on, your new password set successful (like the Figure 2 picture)



2. How to setup new fingerprint

- ① Open the door with default factory password(1234#)
- ② Press the red re-set button behind the door (just like right picture)
- ③ The left red indicator and middle green indicator will light on (like the Figure 1 picture)
- ④ Enter your one fingerprint three times in a row
- ⑤ The middle and right OK green indicator will light on, your new fingerprint set successful (like the Figure 2 picture)

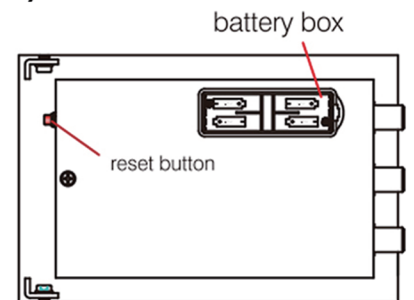


Figure 1



Figure 2

Note: It is recommended that you keep your fingers dry and clean as much as possible, choose fingers with clear fingerprints, and adjust the finger angle appropriately during continuous input so that the fingerprint lock can capture fingerprint images at different angles.

Note: 29 FINGERPRINTS CAN BE STORED UP

Dual Smart Alert System

1. Wrong password alert

Six wrong entries (password or fingerprint) will lock the keypad for 20 seconds, and the buzzer will beep.

2. Vibration Alert

Press " 0# " to activate. The buzzer will beep when the safe is subjected to a vibration.

Silent Mode

Press " 3# " to turn on/off silent mode.

Restore Factory Settings

- ① Long press the red reset button behind the door at least 4 seconds
- ② The buzzer will beep
- ③ At the same time, the middle and right OK green indicator will light on, the safe restore factory settings successful (like the Figure 2 picture)

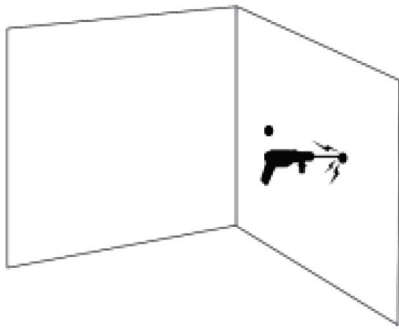
Note: if you do not press the reset button long enough, the red indicator on the left and the green indicator in the middle will light up. it means the restore factory settings failed



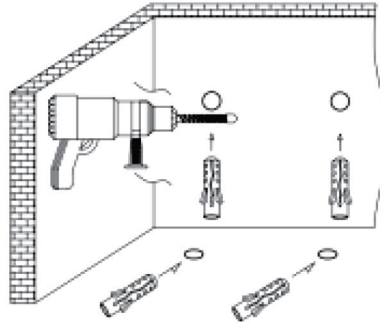
Figure 2

Steps for Mounting

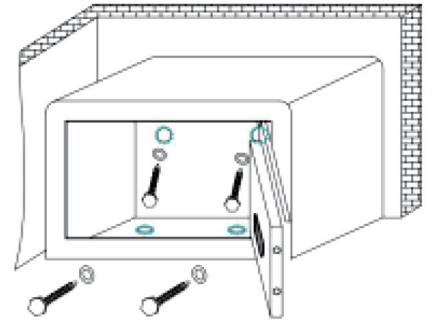
NOTE: There are no pre-drill holes for the 80H safe box, so you don't need mount it



Step 1



Step 2



Step 3

- ① Drill the appropriate size holes for the anchors you are using
- ② Carefully press the anchor into the holes at this time
- ③ Mount the safe by running screws from inside of the safe and securing to anchors. Ensure the safe is mounted securely

